

Operating Instruction

PENDULUM FEEDER

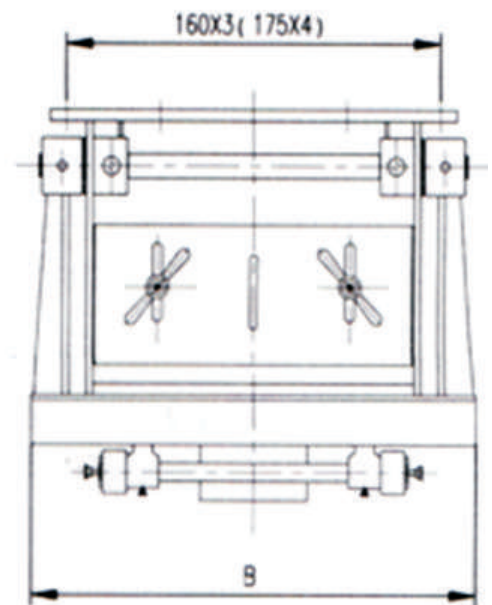
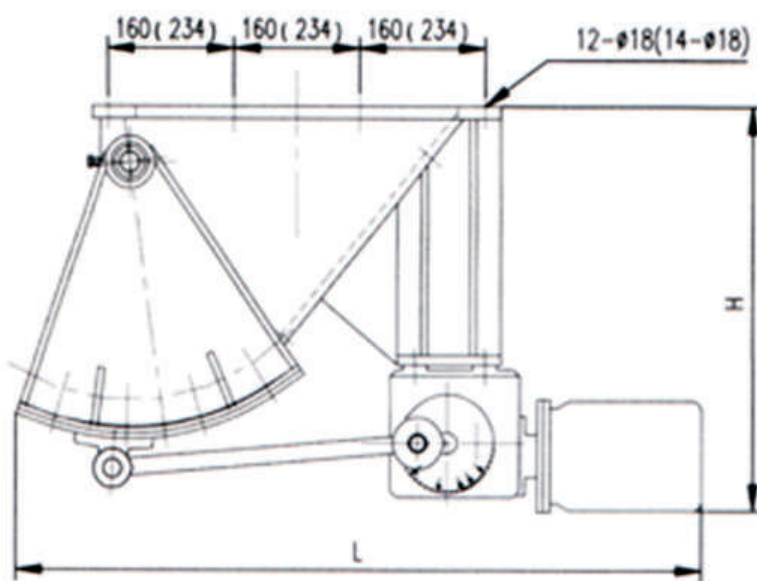


Henan Hongxing Heavy Machinery Co., Ltd.

The Application and Function of Pendulum Feeder:

Pendulum feeder is suitable for feeding the granulate materials from the stock chute through the funnel to the material receiving devices with

different models in ore dressing, coal, chemistry and other industrial departments.



Some Notes on Using Pendulum Feeder:

Pendulum Feeder is suitable for concentrating coal chemical industry and other departments, makes the grain delivery to various set of accepting the material from the store chute by

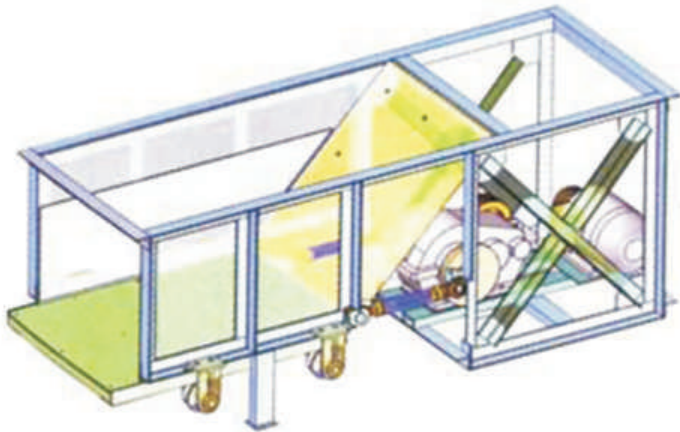
the filter. The pendulum feeder is not suitable for delivering the dry power of the too big material or else, it may appear the fly-ash pollution or the jam of the output.

Characteristics:

Feeding Granularity:35-50mm

Production Capacity:0-25t/h

Application Range:Suitable to be used in ore beneficiation, coal, chemistry and other departments for sending granulous materials.



Features

Pendulum feeder is not suitable for feeding dry powder materials or the materials with big granularity, otherwise there will be powder dust pollution and the discharging mouth may be blocked.

Working principle

When the electro motor is started, its power is transmitted to the reducer for reducing the speed through the V-shaped belt. The reduced power is transmitted to the eccentric gear with adjustable eccentric distance (the adjustment of the feeding amount needs to adjust the position of the eccentric gear) and the eccentric gear drives the baseboard of the pendulum to move back and forth like an arc through the connecting rod, so that the feeding mouth will open and close repeatedly. The rocks in the ore storage bin above the feeder machine are fed in from the feeding mouth and then evenly discharged from the machine to make sure the ball mill is evenly fed in with materials.

Technical data :

Product Name	Pendulum feeder	Pendulum feeder
Product size	400×400	600×600
Swing times(time / min-1)	47	45.8
Discharge opening(mm)	Width	400
	Height	400
Swing journey(mm)	0-170	0-220
Max. Feeding Size(mm)	35	50
Processing capacity(t/h)	0-12	3-25
Motor	Model	Y90S-4
	Power(kw)	1.1
Total weight(kg)	269	558

HXJQ[®]

China Largest Mining Machinery
Manufacturer



- **Pre-sale services: enthusiasm**

We provide you with the prophase plan, process flow design and manufacturer equipment according to your special demand.

- **Sale services: servant**

Send technicians to the jobsite for guiding the installation and adjustment, training operators and finishing the check and accept together with you.

- **After-sale services: faithfulness**

To establish long term friendship, we will regularly pay return visit to customers. Supplying technique, building design, instruction , installation