

Operating Instruction

HIGH EFFICIENCY CONCENTRATOR

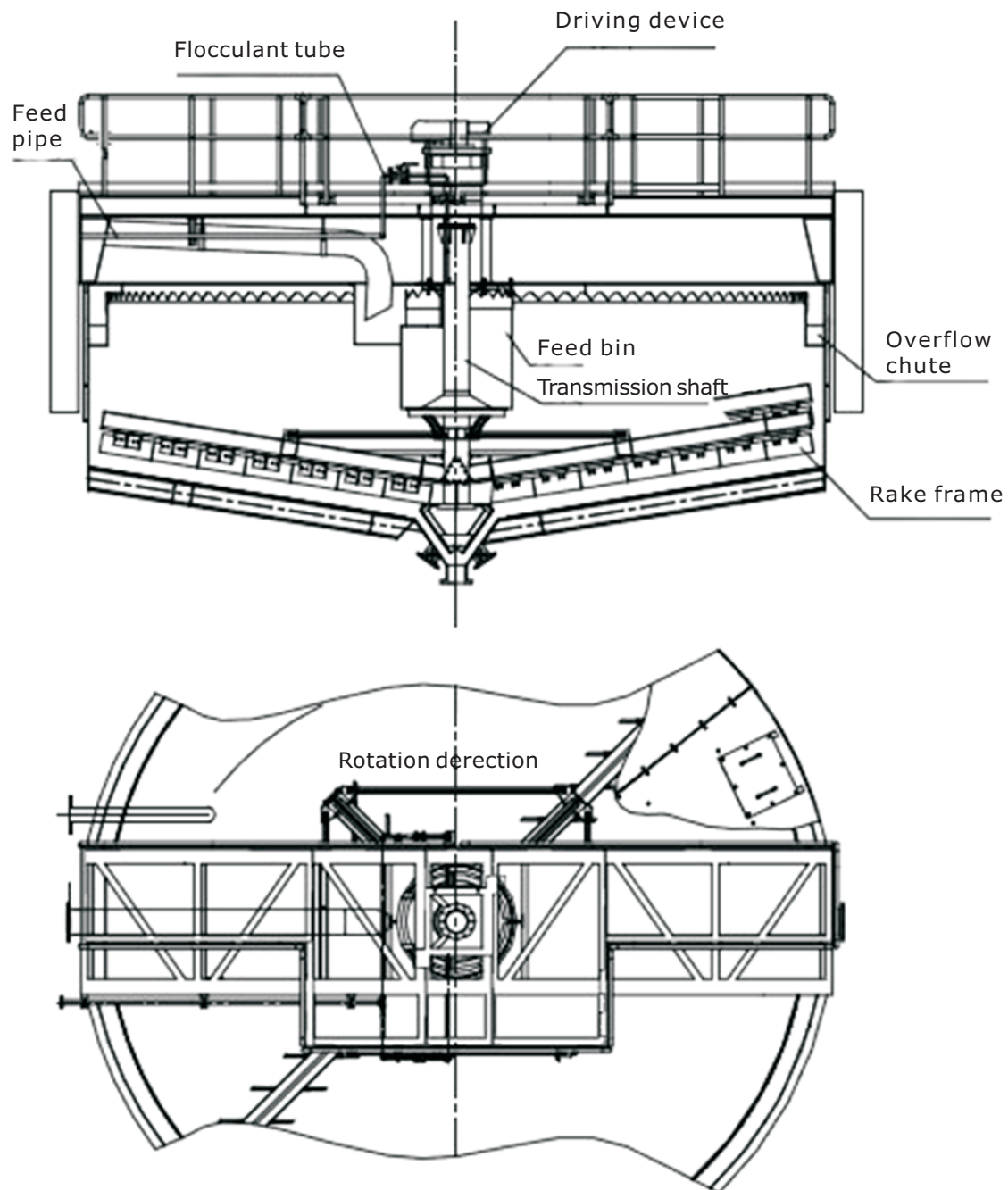


Henan Hongxing Heavy Machinery Co., Ltd.

The Application and Function of High Efficiency Concentrator:

The high efficiency concentrator produced by our company is suitable for removing the water in the ore concentrate and the tailings in the ore beneficiation plant and it can concentrate the ore

pulp from 20-30% to about 40-70%. This high efficiency concentrator is widely used in metallurgy, chemistry, coal, non-metal ore beneficiation and environmental protection industry.



Characteristics:

Charge Amount:1.8-204.6t

Reference Power:5.6-6250t/d

Application Range:Metallurgy, chemical industry, coal, nonmetal ore dressing, environment protection, etc



Technical data :

Specification		Concentration pond (m)			Deposit square (m ²)	Harrow part			Motor		Processing capacity (t/d)	Total weight (t)
Model	Specification	Inner diameter	Depth	Pond degree		Method	Height (m)	Rotation time (min/r)	Driving	Lifting		
NZS-1	Φ1.8m	1.8	1.8	2.54	Manual	0.16	2	Y90L-6 1.1KW	--	5.6	1.8	
NZS-3	Φ3.6m	3.6	1.8	10.2	Manual	0.35	2.5	Y90L-6 1.1KW	--	22.4	4.1	
NZS-6	Φ6m	6	3	28.3	Manual	0.2	3.7	Y90S-4 1.1KW	--	62	10.2	
NZSF-6	Φ6m	6	3	28.3	Manual	--	3.7	Y90S-4 1.1KW	--	62	4.8	
NZ-9	Φ9m	9	3	63.6	Auto	0.25	4.34	Y132S-6 3KW	XWD08-308KW	140	8.1	
NZS-9	Φ9m	9	3	63.6	Manual	0.25	4.34	Y132S-6 3KW	--	140	7.1	
NZS-12	Φ12m	12	3.5	113	Manual	0.25	5.28	Y132S-6 3KW	--	250	10.5	
NZ-15	Φ15m	15	4.4	176	Auto	0.4	10.4	JTC752A-445.2KW	Y112M-6 2.2KW	350	24.7	
NZ-20	Φ20m	20	4.4	314	Auto	0.4	10.4	JTC752A-445.2KW	Y112M-6 2.2KW	960	27.5	
NZ-30	Φ30m	30	7.165	707	--	0.61	13.7	Y100L1-4 2.2×2KW	YCJ132-1.5KW	--	34.8	
NZS-45	Φ45m	45	4.636	1590	Manual	--	20	JTC672A-445.2KW	YCJ160-2.2KW	515	51.8	
NT-15	Φ15m	15	3.5	177	--	--	8.4	Y132M2-6 5.5KW	--	390	12	
NQ-18	Φ18m	18	3.5	255	--	--	10	Y132M2-6 5.5KW	--	560	11	
NQ-24	Φ24m	24	3.4	452	--	--	12.7	Y160M-6 7.5KW	--	1000	25.3	
NG-30	Φ30m	30	3.6	707	--	--	16	Y160M-6 7.5KW	--	1570	29.4	
NJ-38	Φ38m	38	4.9	1134	--	--	10-25	JZT252-4 11KW	Y160M-6 7.5KW	1600	60.2	
NT-45	Φ45m	45	5.05	1590	Auto	--	19.3	Y160L-6 11KW	--	2400	63.6	
NTJ-53	Φ53m	53	5.07	2202	--	--	23.18	JY180L-6 15kw	--	6250	84.8	
NT-100	Φ100m	100	5.65	7846	--	--	43	JY180L-6 15kw	--	3030	204.6	

Features

- (1) Add flocculating agent to increase the grain size of the falling solid particles to accelerate the falling process.
- (2) Install an inclined board to shorten the falling distance of the ore particles and increase the falling area.
- (3) Perform the functions of flocculating, filtering, concentrating and improving the processing quantity.
- (4) High efficiency concentrator is equipped with comprehensive automatic control device.



HXJQ[®]

China Largest Mining Machinery
Manufacturer



- **Pre-sale services: enthusiasm**

We provide you with the prophase plan, process flow design and manufacturer equipment according to your special demand.

- **Sale services: servant**

Send technicians to the jobsite for guiding the installation and adjustment, training operators and finishing the check and accept together with you.

- **After-sale services: faithfulness**

To establish long term friendship, we will regularly pay return visit to customers. Supplying technique, building design, instruction , installation