

# HXJQ<sup>®</sup>

China Largest Mining Machinery  
Manufacturer

*Operating Instruction*

# ROLL CRUSHER



**Henan Hongxing Heavy Machinery Co., Ltd.**



## Overview

Roll crusher is suitable for the coarse and medium crushing of crisp bulk materials in cement, chemistry, power, mine, metallurgy, building material, refractory and coal mines. Pebble, ore, construction waste, glass, cement clinker, granite, basalt, iron ore, quartz, coal, coal gangue and some metals can be perfectly crushed by roll crusher. This series crusher is a crushing machine researched and manufactured by our company for coarse crushing. The roll crusher is widely used for crushing high hard and medium hard materials in such industrial departments such as metallurgy, building material and refractory. It has the features of low noise, little powder dust, reliable performance and convenient maintenance.



## The Application and Features of Roll Crusher:

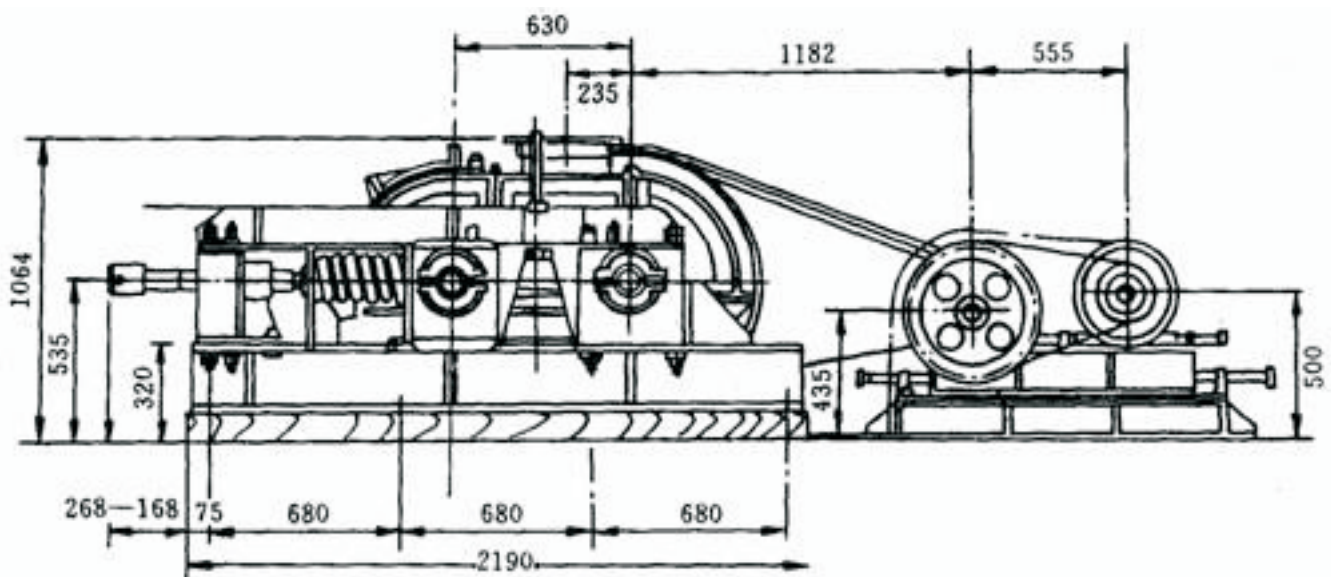
The roll crusher is widely used for crushing high hard and medium hard materials in such industrial departments such as metallurgy,

building material and refractory. It has the features of low noise, little powder dust, reliable performance and convenient maintenance.

### Features

The main structure of the wheel gearing is composed of fixed roll, movable roll, drive shaft, machine box, chassis, cover piece and long gear cover. The motive power of the machine comes from the V-belt pulley of the electromotor,

and a pair of middle reduction gear will make the fixed roll rotate, and then a pair of long gear drive on the other side of the fixed roll will drive the movable roll, and the two rolls perform relative movement to squeeze the materials.



### The Inner Structure of Roll Crusher:

The main structure of the wheel gearing is composed of fixed roll, movable roll, drive shaft, machine box, chassis, cover piece and long gear cover. The motive power of the machine comes from the V-belt pulley of the electromotor, and

a pair of middle reduction gear will make the fixed roll rotate, and then a pair of long gear drive on the other side of the fixed roll will drive the movable roll, and the two rolls perform relative movement to squeeze the materials.

## Characteristics:

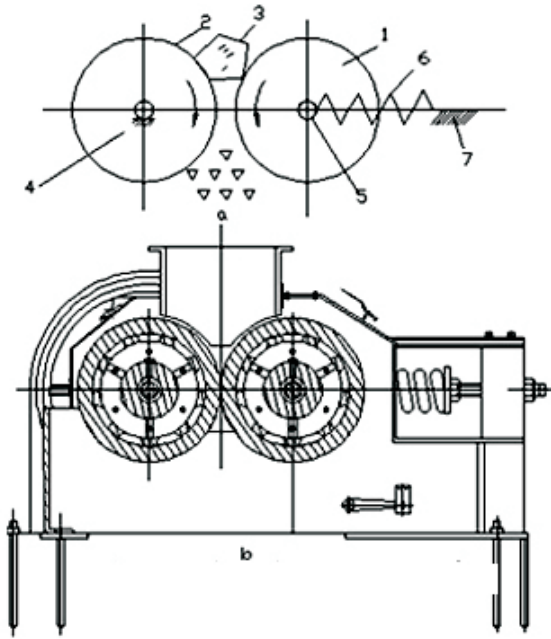
Processing capacity: 5-100t/h

Roller diameter: 400-700mm

Feeding size:  $\leq 25$ - $\leq 100$

Roller number: 2

Rotation speed: 95-180r/min



## Working principle:

The adjustment of discharging granularity:

There is a wedge-shaped or gasket adjustment device between the two rolls, and on the top of the wedge-shaped device, there is an adjusting bolt. When the adjusting bolt pulls up the wedge, the wedge will lift the movable roll from the fixed roll, so that the gap between the two rolls will become large, and the discharging granularity will become large. When the wedge goes down, under effect of the pressure spring, the gap between the two rolls will become small, and the discharging granularity will become small. The gasket device adjusts the discharging granularity through increasing and decreasing

## Technical data :

Model	2PG400×250	2PG610×400	2PG700×400	
Rotor diameter (mm)	400	610	700	
Roller length (mm)	250	400	400	
Max. feeding size (mm)	$\leq 25$	$\leq 85$	$\leq 100$	
Discharging size (mm)	2-8	0.5-30	0.5-30	
Capacity (t/h)	5-10	13-40	10-100	
Roller number	2	2	2	
Roller rotation speed (r/min)	180	75	95	
Total weight (t)	2.2	5.9	9.8	
Dimensions(L×W×H) (mm)	1215×834×830	3700×1600×1100	4300×1200×1200	
Motor	Power (kw)	5.5×2	15×2	30×2

the number or thickness of the gasket, and when the number of the gasket increases, the gap between the two rolls will become large and the discharging granularity will become large; when the number of the gasket decreases, the gap between the two rolls will become large and the discharging granularity will become small.

# HXJQ<sup>®</sup>

China Largest Mining Machinery  
Manufacturer



- **Pre-sale services: enthusiasm**

We provide you with the prophase plan, process flow design and manufacturer equipment according to your special demand.

- **Sale services: servant**

Send technicians to the jobsite for guiding the installation and adjustment, training operators and finishing the check and accept together with you.

- **After-sale services: faithfulness**

To establish long term friendship, we will regularly pay return visit to customers. Supplying technique, building design, instruction , installation